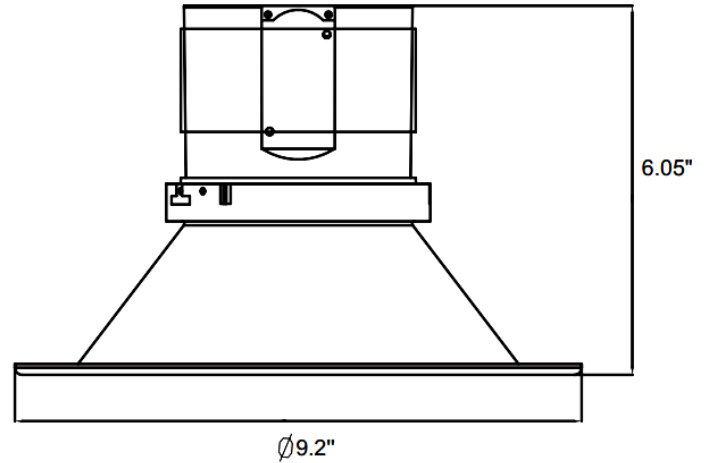


JOB NAME: _____

DATE: _____

TYPE: _____

DIMENSIONS:



- CRLC8-20W-30K-D CRLC8-20W-30K-D-WH
- CRLC8-20W-40K-D CRLC8-20W-40K-D-WH
- CRLC8-20W-50K-D CRLC8-20W-50K-D-WH

8" LED COMMERCIAL RECESSED LIGHT

Ideal for hotel, offices, retail outlets, restaurant, parking garages, conference room, education facilities and more.

ELECTRICAL SPECIFICATIONS:

- Voltage: 120-277VAC 50/60Hz
- Wattage: 20W
- Power factor: >0.90
- Efficacy: 80~86LM/W

HOUSING SPECIFICATIONS:

- 8" Haze & White Finish TRIM
- Mounting Options: Recessed
- Temperature Rating: Designed to operate in temperatures 113°F
- No IC-Rated
- Lifespan: 50,000 hrs.
- Suitable for Damp Locations

CERTIFICATIONS: UL



MODEL	WATTS	VOLTAGE	LUMENS	COLOR TEMP	FINISH
CRLC8-20W-30K-D	20W	120~277VAC	1600LM	3000K	HAZE
CRLC8-20W-40K-D	20W	120~277VAC	1640LM	4000K	HAZE
CRLC8-20W-50K-D	20W	120~277VAC	17200LM	5000K	HAZE
CRLC8-20W-30K-D-WH	20W	120~277VAC	1600LM	3000K	WHITE
CRLC8-20W-40K-D-WH	20W	120~277VAC	1640LM	4000K	WHITE
CRLC8-20W-50K-D-WH	20W	120~277VAC	17200LM	5000K	WHITE

LIGHTING SPECIFICATIONS:

- Dimming: 0~10V Dimmable
- Recommended Dimmers: DVTV(LUTRON),IP710(LEVITON)
- Total lumens: 1600~17200LM
- Color temperature: 5000K/4000K/3000K
- Color rendering index: >80

WARRANTY: 5 years



JOB NAME: _____

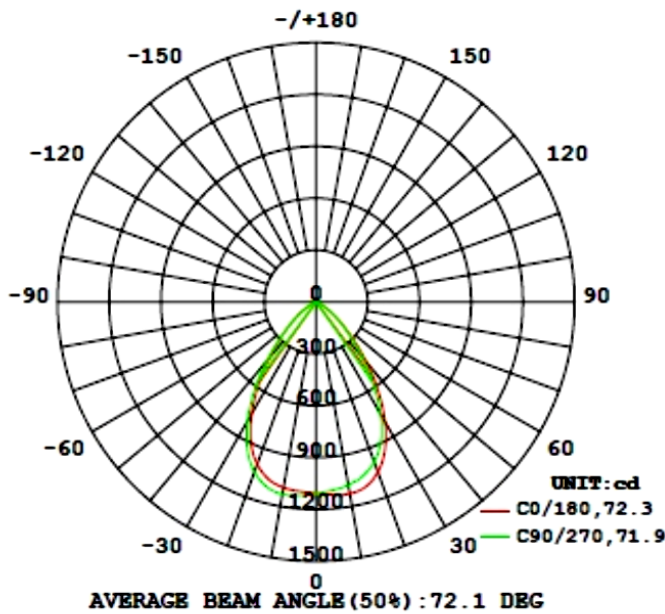
DATE: _____

TYPE: _____

CRLC8-20W-30K-D CRLC8-20W-30K-D-WH
CRLC8-20W-40K-D CRLC8-20W-40K-D-WH
CRLC8-20W-50K-D CRLC8-20W-50K-D-WH

8" LED COMMERCIAL RECESSED LIGHT

PHOTOMETRY CHART:



MODEL	WATTS	VOLTAGE	LUMENS	COLOR TEMP	FINISH
CRLC8-20W-30K-D	20W	120~277VAC	1600LM	3000K	HAZE
CRLC8-20W-40K-D	20W	120~277VAC	1640LM	4000K	HAZE
CRLC8-20W-50K-D	20W	120~277VAC	17200LM	5000K	HAZE
CRLC8-20W-30K-D-WH	20W	120~277VAC	1600LM	3000K	WHITE
CRLC8-20W-40K-D-WH	20W	120~277VAC	1640LM	4000K	WHITE
CRLC8-20W-50K-D-WH	20W	120~277VAC	17200LM	5000K	WHITE

TWO WAYS TO ORDER :



1.ORDER COMPLETE UNIT	2.ORDER ENGINE & TRIM SEPARATELY	
	ENGINE	TRIM
CRLC8-20W-30K-D	CRLC-ENG-20W-30K-D +	CRLC-TRM-8
CRLC8-20W-40K-D	CRLC-ENG-20W-40K-D +	CRLC-TRM-8
CRLC8-20W-50K-D	CRLC-ENG-20W-50K-D +	CRLC-TRM-8
CRLC8-20W-30K-D-WH	CRLC-ENG-20W-30K-D +	CRLC-TRM-8-WH
CRLC8-20W-40K-D-WH	CRLC-ENG-20W-40K-D +	CRLC-TRM-8-WH
CRLC8-20W-50K-D-WH	CRLC-ENG-20W-50K-D +	CRLC-TRM-8-WH

